

SWING CHECK VALVE

Threaded : BSPT

Materials : SUS304 / Gr.CF8

Application : Water, Oil, Gas

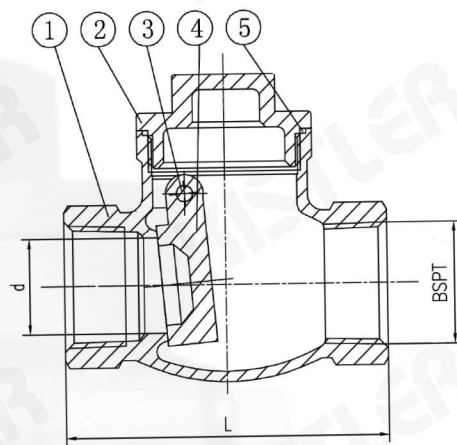
- Features :
- Investment Casting Body
 - Working Pressure 200 psi.
 - Temperature range -10°C to 100°C
 - Solid Wedge Disc

Fig. CV-200S04



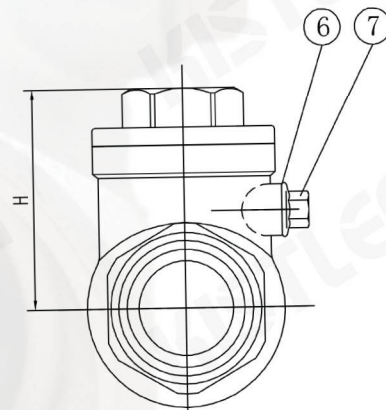
MATERIALS

NO.	NAME OF PART	SPECIFICATION
1	Body	SUS304 (CF8, SCS13)
2	Cap	SUS304 (CF8, SCS13)
3	Pin	SUS304 (CF8, SCS13)
4	Disc	SUS304 (CF8, SCS13)
5	Joint Gasket	PTFE (TEFLON)
6	Gasket	PTFE (TEFLON)
7	Screw	SUS304 (CF8, SCS13)



PRESSURE - TEMPERATURE RATINGS

Working Pressure	200 psi
Working Temperature	-10 to 100°C



DIMENSIONS

Unit : mm.

SIZE	d	L	H	D
1/4"	8	65	43	47
3/8"	10	65	43	47
1/2"	15	63	43	41
3/4"	20	75	48	50
1"	25	85	51	52
1.1/4"	32	101	55	70
1.1/2"	40	116	60	71
2"	50	135	76	78
2.1/2"	65	181	99	104
3"	80	200	104	152