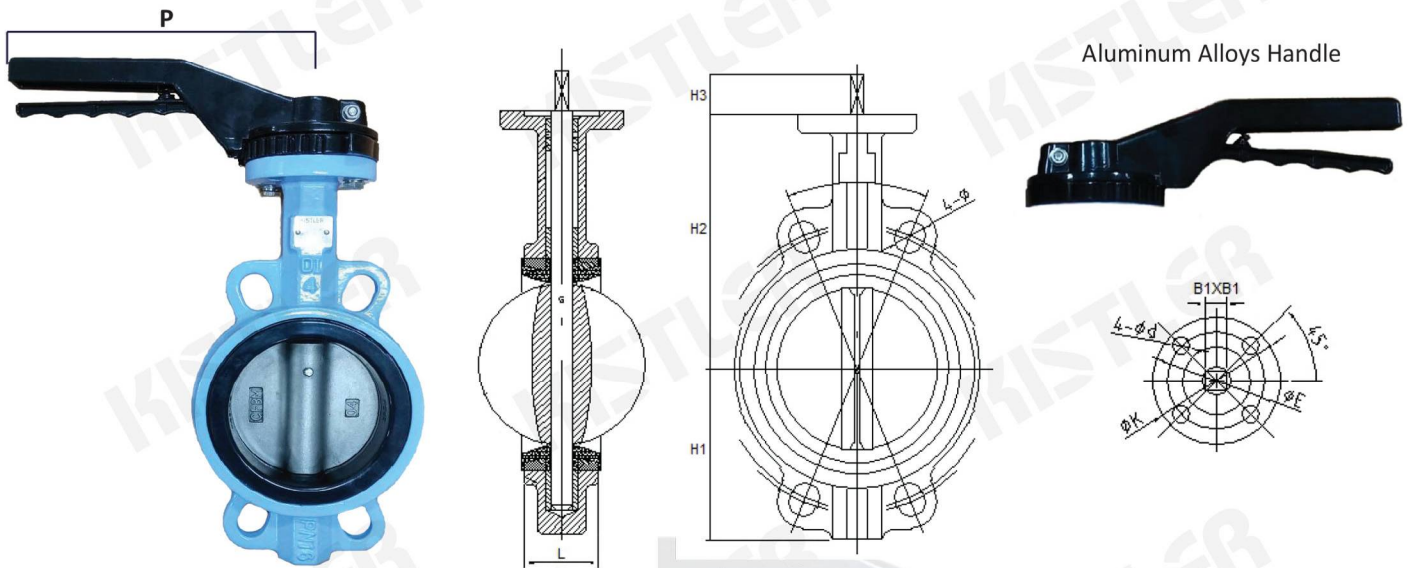


#### RESILIENT SEAT BUTTERFLY VALVE

Fig. BFV100LD - WAFER Ductile Iron Body Lever Operated



#### FEATURE

1. Design Aluminum Alloys Handle.
2. It is the perfect choice for areas with space constraints.
3. Small in size and light in weight, easy to install. It can be mounted wherever needed, suitable for various actuators.
4. Simple, compact structure, quick 90 degree on-off operation.
5. Disc has two-way bearing perfect seal, without leakage under the pressure test.
6. Flow curve tending to straight-line. Excellent regulation performance
7. Strong wash and brush resistance and can fit to bad working condition
8. Center plate structure, small torque for open and close.
9. Long service life. Standing the test for 10000 times opening and closing operation.
10. Can be used in cutting off and regulation medium.
11. Disc and Stem are fastened by pin, more stable.

#### MATERIALS

PART NAME	SPECIFICATION
Body	Ductile Iron
Disc	Stainless Steel 316 (CF8M)
Seat	EPDM
Shaft	Stainless Steel ASTM 410
Pin	Stainless Steel 316 (CF8M)
O-Ring	EPDM
Bushing	PTFE
Handle	Aluminum Alloys

#### PERFORMANCE

<b>Max. Working Pressure</b>	16 bar (232 psi.)	
<b>Max. Working Temperature</b>	-10°C + 120°C	
<b>Testing Pressure</b>	<b>Body</b>	24 bar (348 psi.)
	<b>Seat</b>	17.6 bar (255 psi.)
<b>Handle</b>	2"-4" = 20cm.	5"-8" = 40cm.

#### DIMENSIONS

Unit : mm.

DN(mm).	INCH	L	H1	H2	H3	4 - Ø	B1 x B1	ISO5211	Ø E	Ø K	4 - Ød	P	C
50	2"	42.0	80	140	30	80	9x9	F07	80	90	10	200	
65	2.1/2"	44.7	89	150	30	89	9x9	F07	89	90	10	200	This dimension
80	3"	45.2	95	158	30	95	9x9	F07	95	90	10	200	can be acc to BS5155,
100	4"	52.0	114	176	30	114	11x11	F07	114	90	10	200	JIS10K, ANSI 125/150
125	5"	54.4	127	190	30	127	14x14	F07	127	90	10	400	DIN PN10/PN16,
150	6"	55.8	139	211	30	139	14x14	F07	139	90	10	400	UNI Standard, etc.
200	8"	60.6	175	235	40	175	17x17	F10	175	125	12	400	