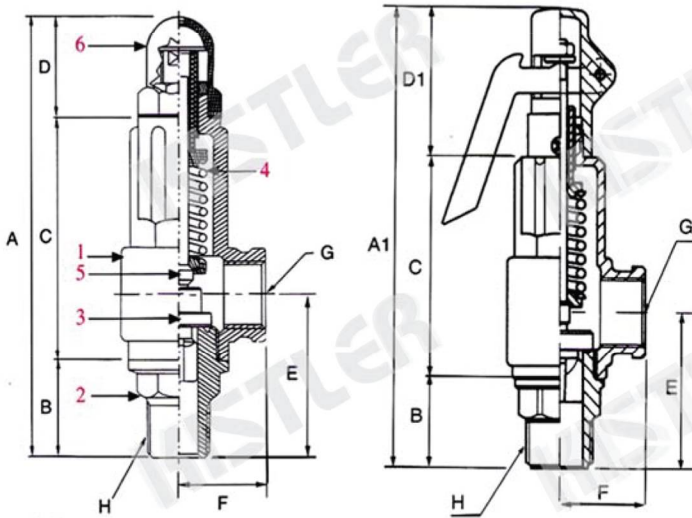


Fig. SRV

Fig. SRV-L



#### APPLICATION

- For General and Industrial Services
- Applicable Medium : Water, Gas, Steam, Vapour & liquid
- Max working pressure : 10 kgf/cm<sup>2</sup>
- Max working temperature : 45°C - 185°C

#### FEATURE

- Screwed end BSPT Connections
- Full Port
- Screwed Body Cap
- Spring Loaded

#### TEST PRESSURE

- Hydrostatic
- Shell test 15 kgf/cm<sup>2</sup>
- Seat test at set pressure
- Air test 6 kgf/cm<sup>2</sup>

#### DESCRIPTION

- Direct Acting Safety Valve, Spring loaded, with Full bore & high capacity performance valve housing si heavy duty casting, wilde hex on valve body provides clearance for easy installation.
- Every valve is 100% tested/inspected fot pressure setting, blowdown and leakage.

#### MATERIALS

NO.	NAME OF PARTS	SRV	SRV-L
1	Body	ASTM - C84400 (Bronze)	
2	Seat	ASTM - C84400 (Bronze)	
3	Disc	ASTM - C84400 (Bronze)	
4	Spring	Stainless Steel	
5	Stem	ASTM - C84400 (Bronze)	
6	Cap	ASTM - C84400 (Bronze)	
<b>Working Pressure</b>		0.3 - 10 kg/cm	
<b>Working Temperature</b>		-45C - 185°C	
<b>Working Fluid</b>		Non corrosive Gas, Steam, Air Water, Non corrosve Liquid	Non corrosive Gas, Steam, Air

#### DIMENSIONS

SIZE	A	B	C	D	E	F	G	H	LIFT	A1	D1
1/2"	137	31	73	33	52	29	1/2"	1/2"	0.52	160	56
3/4"	148	33	82	33	56	34	3/4"	3/4"	0.76	171	56
1"	183	40	98	45	72	40	1"	1"	1	205	67
1.1/4"	208	50	110	48	86	50	1.1/4"	1.1/4"	1.28	227	67
1.1/2"	230	50	130	50	93	57	1.1/2"	1.1/2"	1.52	248	67
2"	262	55	150	57	102	66	2"	2"	2	287	82

Unit : mm